

H101-NIKON-TI-S-ER

Compatible with the following XY stages: Nikon TI-S-E, TI-S-ER, TI2-S-SE-E, TI2-S-SS-E. In addition it can be screwed to mechanical stages T/Ti-SR (focal plane raised by 0,5 mm) and TC-S-SR/TC-S-SRF (focal plane raised by 1mm). For mechanical stages T/Ti-SR and TC-S-SR/TC-S-SRF the choice of this chamber is recommended only when using multiwell plates, otherwise choose H101-NIKON-TI-SR and H101-MINI respectively.

Magnetic interchangeable inserts allow to use:

- 35/60 mm Petri
- 1x3 in. / 1x2 in. chambered slides
- 6-12-24-48-96 MW plates

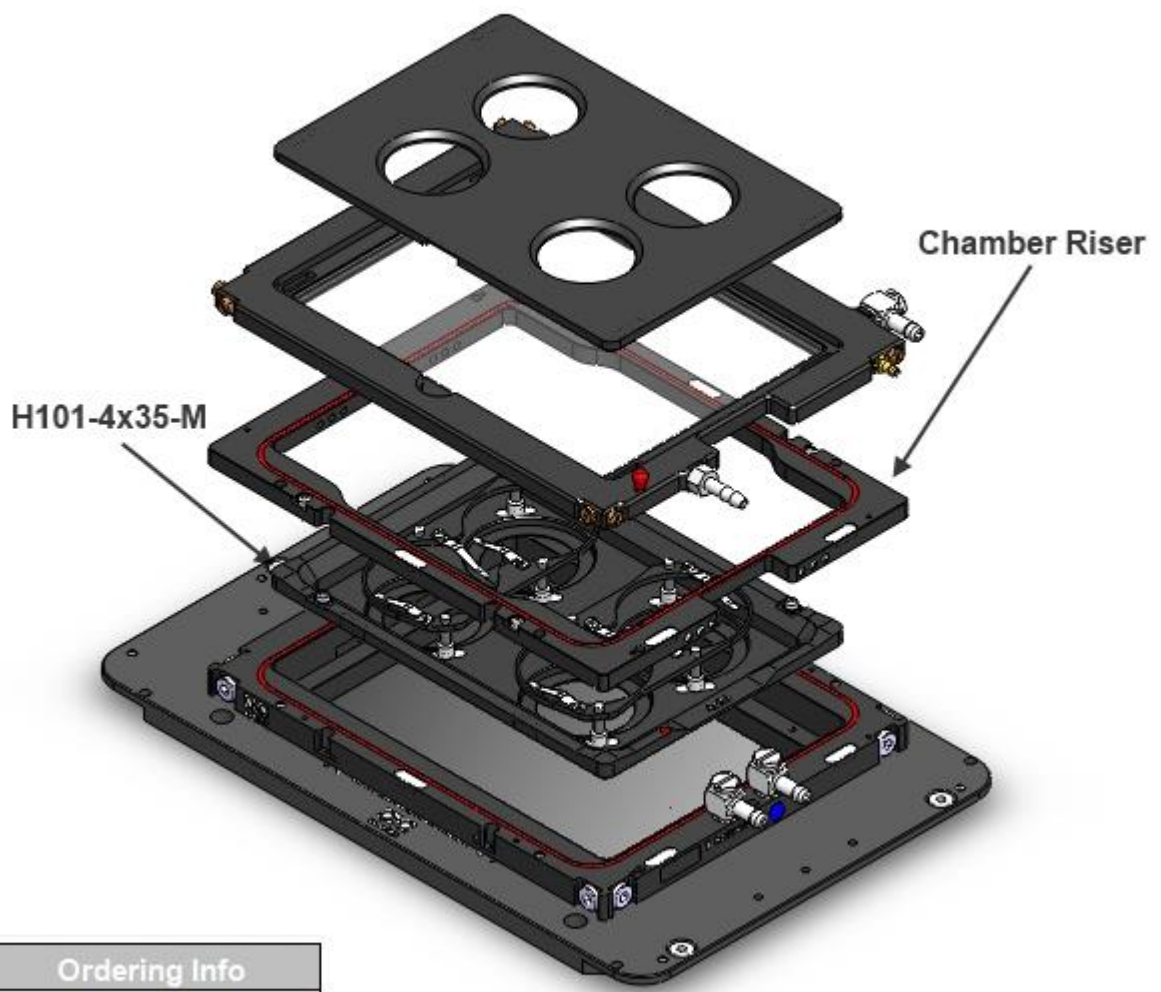
Features:

- Chamber heated by means water circulation in water tight channels present in the main body and in the lid
- Flexible chamber height thanks to the removable chamber riser
- Magnets allow easy interchange chamber inserts
- It contains also an insert for oil immersion imaging
- Magnetic locks hold Petri, Slides and MW in correct position inside the chamber
- Perfusion holes: 12 channels for 2.5mm O.D. tubings are available in the chamber riser



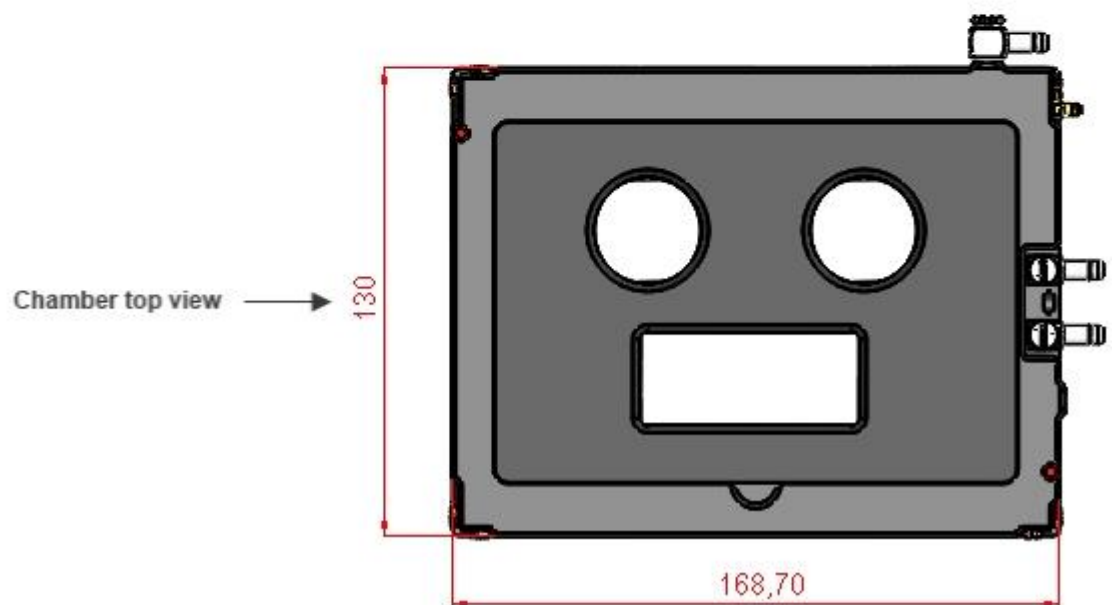
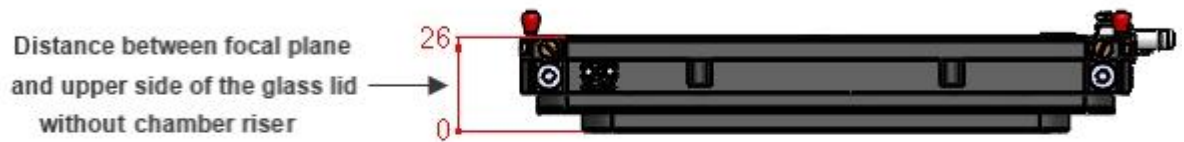
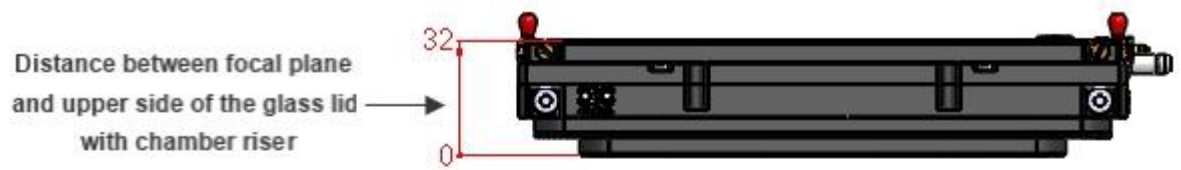
AVAILABLE INSERTS

H101-6MW	6 well plates
H101-12MW	12 well plates
H101-24MW	24 well plates
H101-24MW-NUNC	24-well NUNC/GREINER plates
H101-48MW	48-well plates
H101-96MW	96-well plates
H101-1x35-M	#1 35mm Petri-dish
H101-1xGS-M	#1 1x3in. chamberslide
H101-1xLABTEK-M	#1 Lab-Tek 1x2 in. chambered cover glass
H101-1xLABTEK-II-M	#1 Lab-Tek II 1x2 in. chambered cover glass
H101-1x60-M	#1 60mm Petri-dish
H101-1xT25-M	#1 Nunc and Greiner T25 flask
H101-2x35-M	#2 35mm Petri-dish
H101-2xGS-M	#2 1x3in. chamberslides
H101-2xLABTEK-M	#2 Lab-Tek 1x2 in. chambered cover glass
H101-2xLABTEK-II-M	#2 Lab-Tek II 1x2 in. chambered cover glass
H101-2x60-M	#2 60mm Petri-dish
H101-4x35-M	#4 35mm Petri-dish
H101-GS35-M	#1 1x3in. chamberslide and #2 35mm Petri-dish
H101-LABTEK-35-M	#1 Lab-Tek 1x2 in. chambered cover glass and #2 35mm Petri-dish
H101-LABTEK-II-35-M	#1 Lab-Tek II 1x2 in. chambered cover glass and #2 35mm Petri-dish
H101-LABTEK-60-M	#1 Lab-Tek 1x2 in. chambered cover glass and #1 60mm Petri-dish
H101-LABTEK-II-60-M	#1 Lab-Tek II 1x2 in. chambered cover glass and #1 60mm Petri-dish
H101-GS60-M	#1 1x3in. chamberslide and #1 60mm Petri-dish
H101-6035-M	#1 60mm Petri-dish and #1 35mm Petri-dish



Ordering Info
H101-NIKON-TI-S-ER
H101-4x35-M

H101-NIKON-TI-S-ER - Components



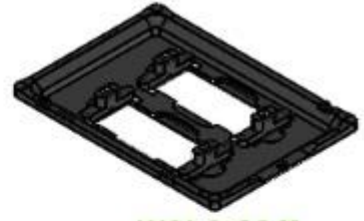
H101-NIKON-TI-S-ER - Dimensions



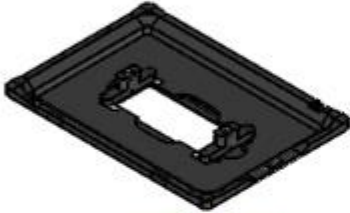
H101-LABTEK-35-M
For #1 Lab-Tek 1"x2" chambered
cover glass and #2 35mm petri-dishes



H101-GS35-M
For #1 1"x3" chamber slide and
#2 35mm petri dishes



H101-2xGS-M
For #2 1"x3" chamber slides



H101-1xGS-M
For #1 1"x3" chamber slide



H101-2xLABTEK-M
For #2 Lab-Tek 1"x2" chambered
cover glass



H101-LABTEK-II-35-M
For #1 Lab-Tek II 1"x2" chambered
cover glass and #2 35mm petri-dishes



H101-2xLABTEK-II-M
For #2 Lab-Tek II 1"x2" chambered
cover glass



H101-1xLABTEK-M
For #1 Lab-Tek 1"x2" chambered
cover glass



H101-LABTEK-60-M
For #1 Lab-Tek 1"x2" chambered
cover glass and #1 60mm petri-dishes

H101-NIKON-TI-S-ER - Magnetic Inserts



H101-1x35-M
For #1 35 mm petri dish



H101-2x35-M
For #2 35 mm petri dishes



H101-1X60-M
For #1 60 mm petri dish



H101-4X35-M
For #4 35 mm petri dishes



H101-2X60-M
For #2 60 mm petri dishes



H101-GS60-M
For #1 60 mm petri dishes and
#1 1"x3" chamber slide



H101-1xLABTEK-II-M
For #1 Lab-Tek II 1"x2" chambered cover glass

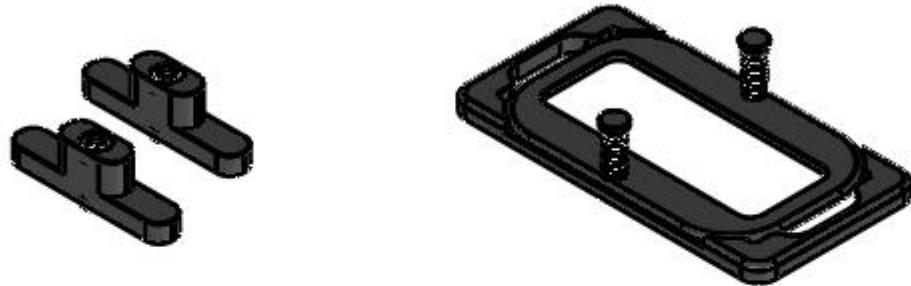


H101-6035-M
For #2 35 mm petri dishes and
#1 60 mm petri dish

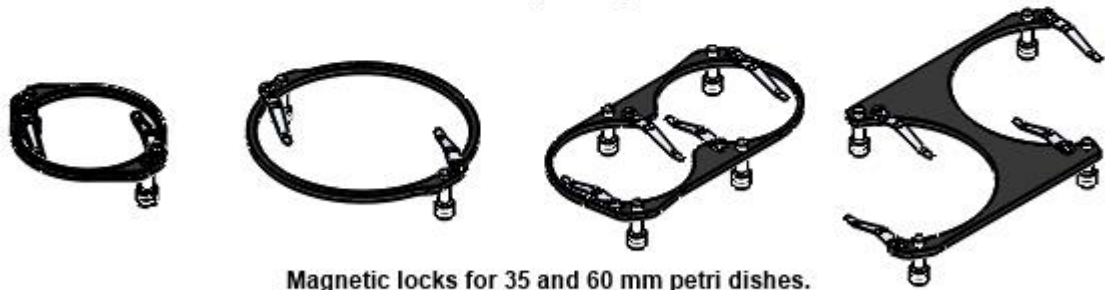


H101-LABTEK-II-60-M
For #1 Lab-Tek II 1"x2" chambered
cover glass and #1 60mm petri-dish

H101-NIKON-TI-S-ER - Magnetic Inserts

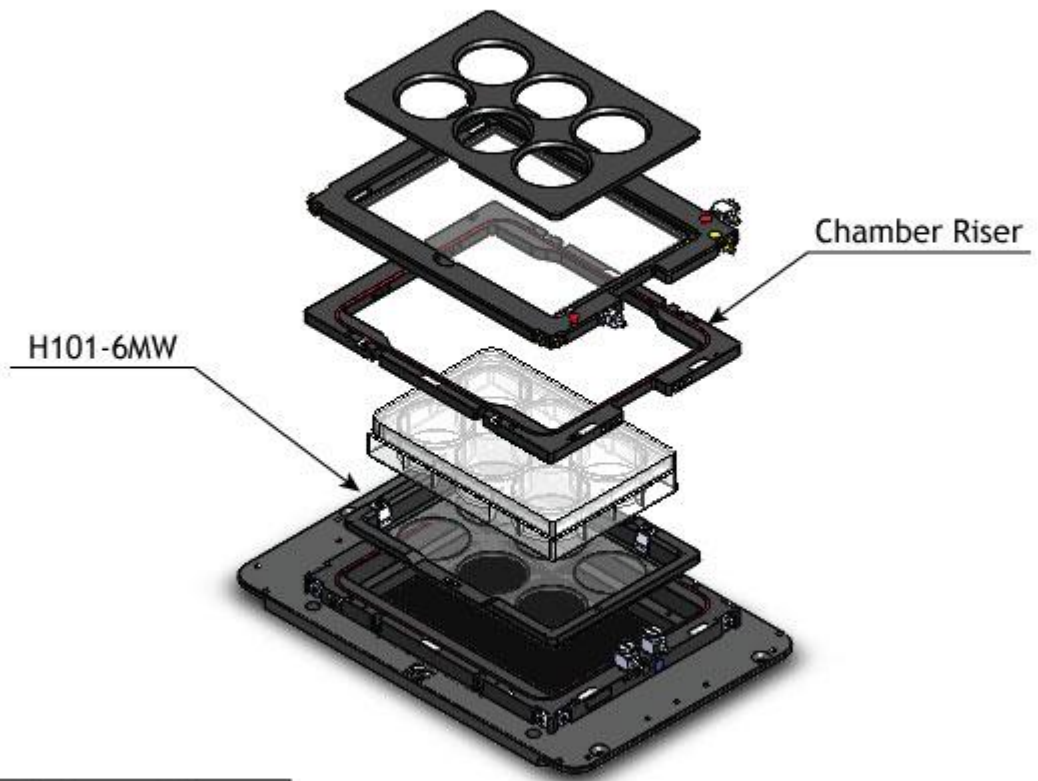


**Magnetic Locks for chamber slides and chambered cover glass.
Included in the corresponding chamber insert**



**Magnetic locks for 35 and 60 mm petri dishes.
Included in the corresponding chamber insert**

H101-NIKON-TI-S-ER - Magnetic Locks



Ordering Info
H101-NIKON-TI-S-ER
H101-6MW

H101-NIKON-TI-S-ER- 6MW Plate - requires chamber riser